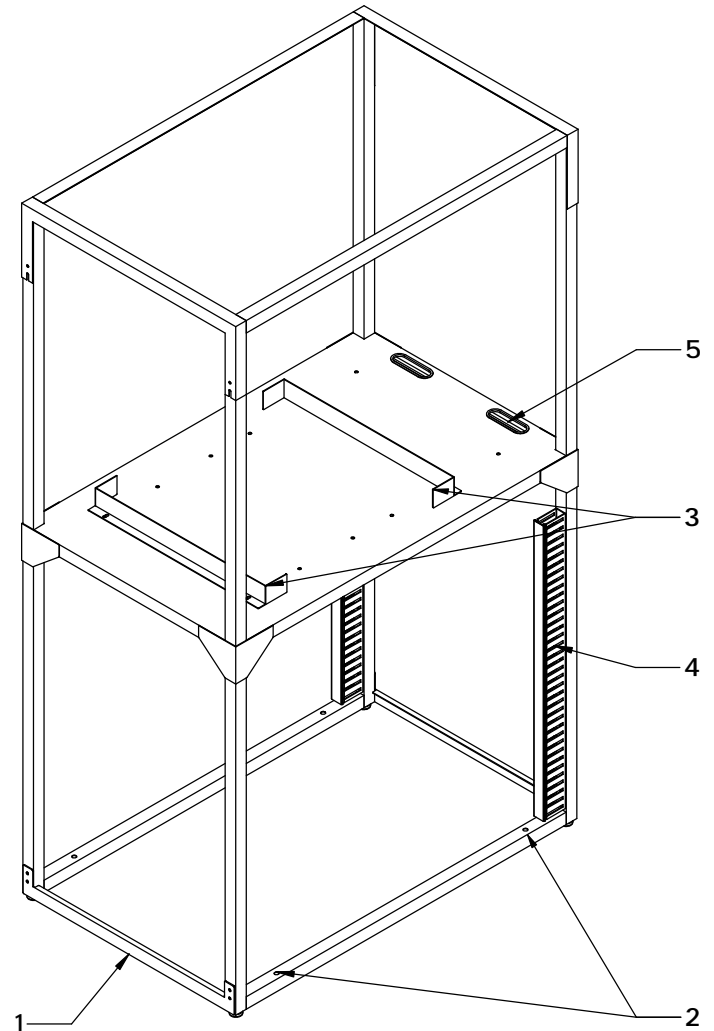
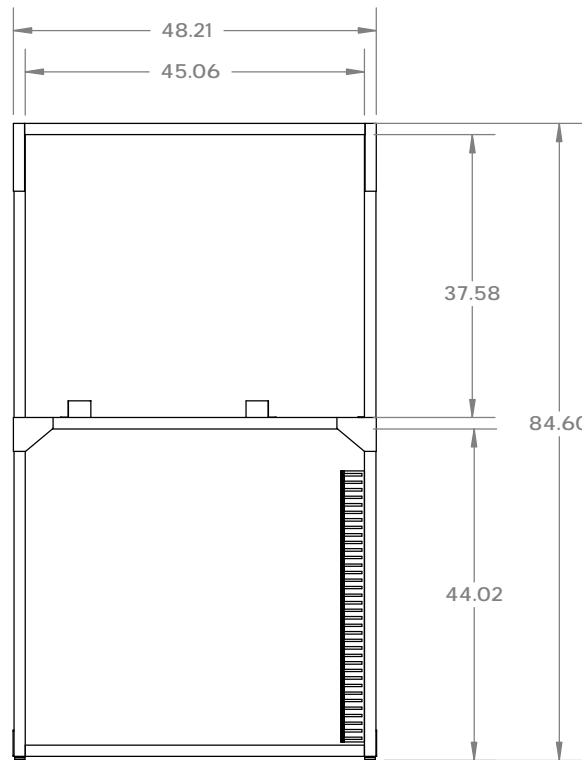
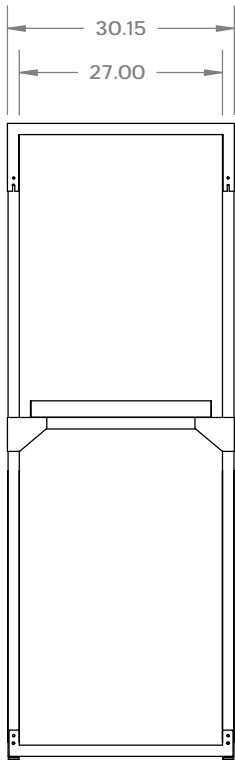
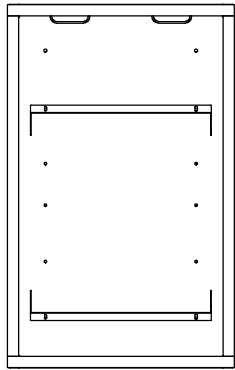


720 STACKER

NOTES:

1. REMOVABLE FRONT AND REAR BRACE, ALLOWS EQUIPMENT TO BE ROLLED IN AND OUT.
2. THROUGH HOLES IN CROSS MEMBERS FOR SECURING TO FLOOR OR SUB FLOOR
3. ADJUSTABLE EQUIPMENT STOPS
4. PANDUIT CABLE TROUGH, BOTH SIDES
5. OVAL SLOTS WITH GROMMETS FOR PASSING CABLES FROM TOP TO BOTTOM



DWG # 720 SPEC SHEET_REV_A